

Laws and building and safety codes governing the design and use of glazed entrance, window, and curtain wall products vary widely. Kawneer does not control the selection of product configurations, operating hardware, or glazing materials, and assumes no responsibility therefor.

Kawneer reserves the right to change configuration without prior notice when deemed necessary for product improvement.
© Kawneer Company, Inc., 2009

ELEVATIONS/VERTICAL SECTION DETAILS2
HORIZONTAL SECTION DETAILS3
EGRESS DOOR..... 4-5
STACK AREA LAYOUT 6-8
SIZE LIMITATIONS/GENERAL INFORMATION9
HARDWARE.....10

LAWS AND BUILDING AND SAFETY CODES GOVERNING THE DESIGN AND USE OF GLAZED ENTRANCE, WINDOW, AND CURTAIN WALL PRODUCTS VARY WIDELY. KAWNEER DOES NOT CONTROL THE SELECTION OF PRODUCT CONFIGURATIONS, OPERATING HARDWARE, OR GLAZING MATERIALS, AND ASSUMES NO RESPONSIBILITY THEREFOR.

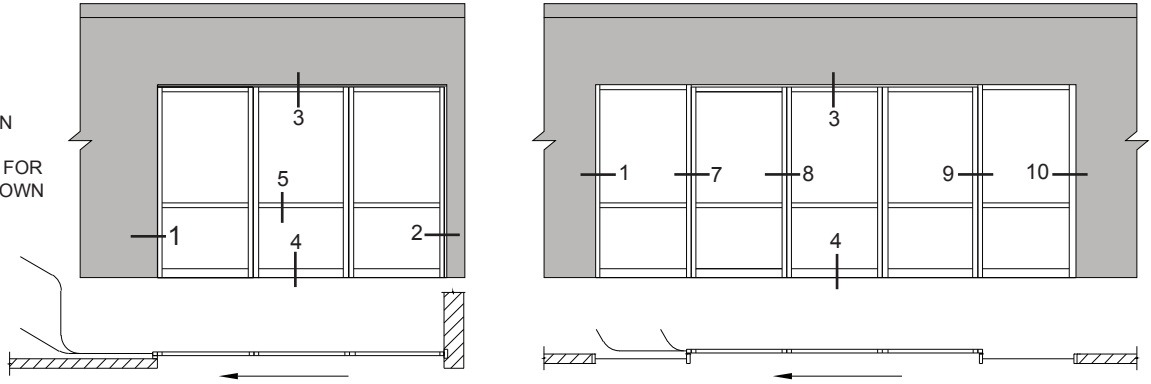
Metric (SI) conversion figures are included throughout these details for reference. Numbers in parentheses () are millimeters unless otherwise noted.

The following metric (SI) units are found in these details:

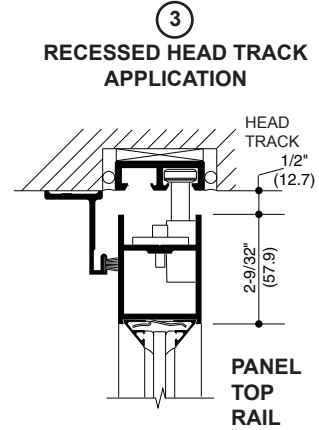
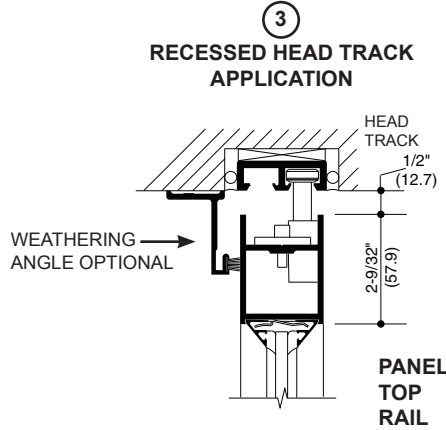
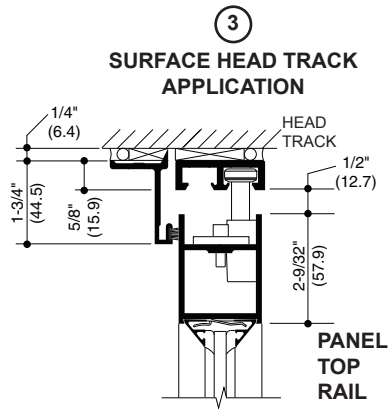
- m – meter
- cm – centimeter
- mm – millimeter
- s – second
- Pa – pascal
- MPa – megapascal

SCALE 3" = 1'-0"

*POSSIBLE TRACK CONDITION VARY WIDELY. CONSULT THE KAWNEER REPRESENTATIVE FOR TRACK APPLICATION NOT SHOWN IN THESE DETAILS.

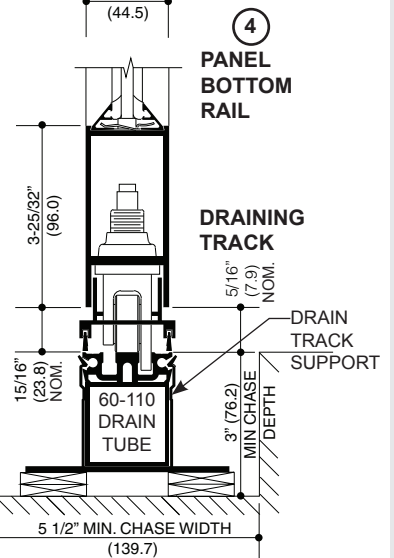
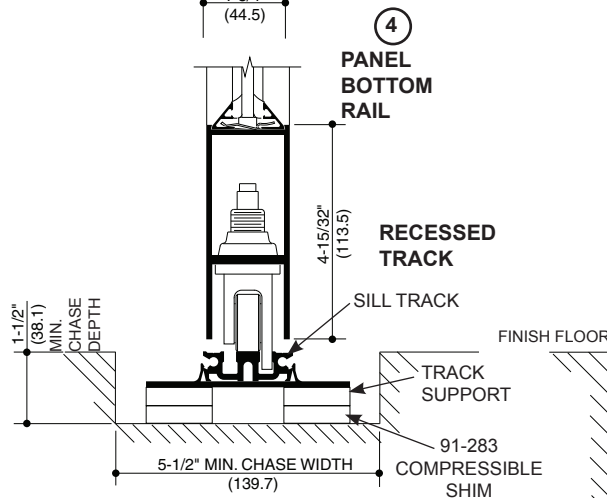
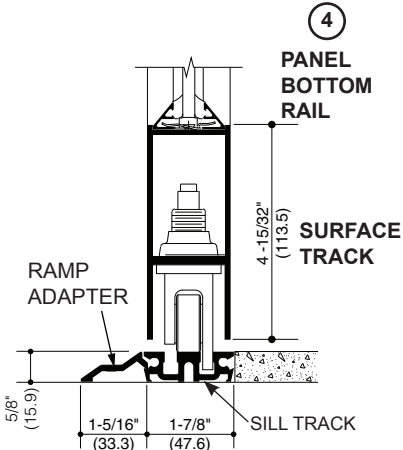
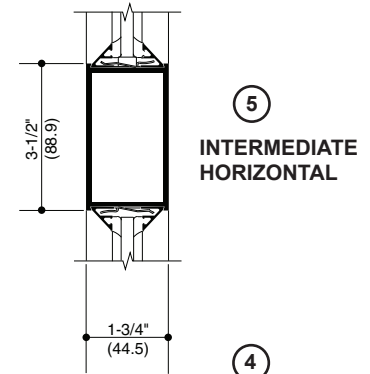
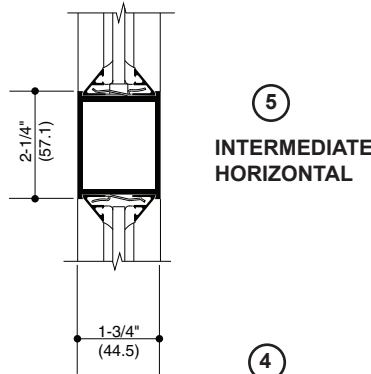


ELEVATIONS ARE NUMBERED KEYED BELOW AND ON PAGE 3.



NOTE: FOR PROPER PANEL OPERATION ON SURFACE TRACK APPLICATIONS, THE FINISH FLOOR MUST BE LEVEL WITHIN 1/8" PER EACH PANEL WIDTH AND WITHIN 1/2" OVER THE ENTIRE TRACK AREA.

NOTE: PROPER SUPPORT MUST BE PROVIDED FOR FLOOR AND HEAD TRACK INCLUDING THE STACK AREA.

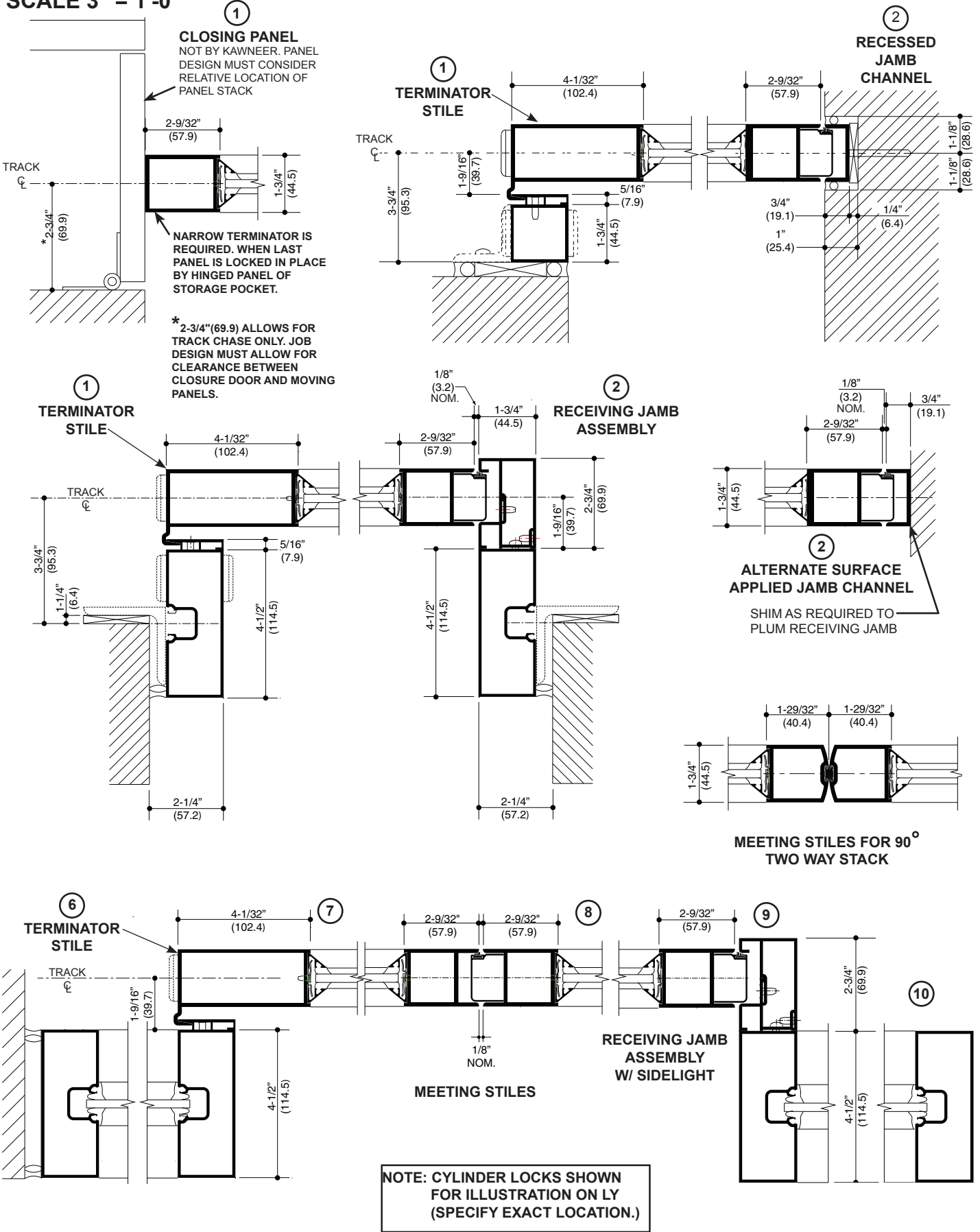


DRAIN CONNECTIONS TO 60-110 TO BE BY OTHERS 1" (25.4) TO 1-1/4" (31.8) O.D. DRAIN TUBING RECOMMENDED EVERY 15' (4.572 METERS) AND AT EACH END.

SCALE 3" = 1'-0"

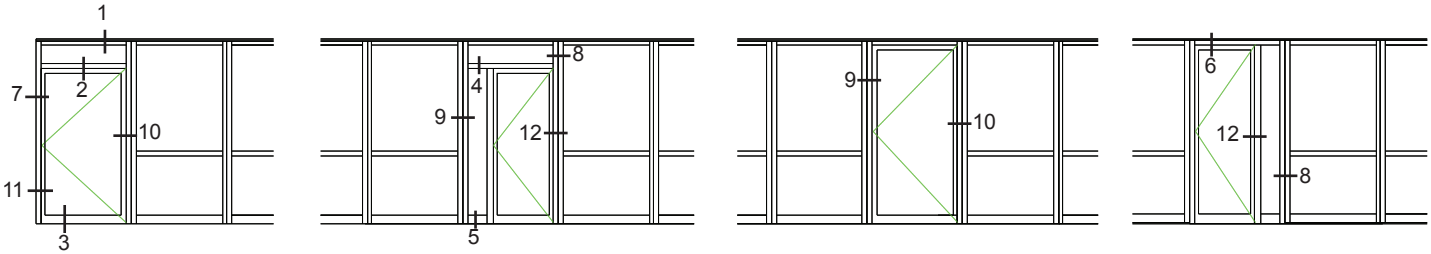
Laws and building and safety codes governing the design and use of glazed entrance, window, and curtain wall products vary widely. Kawneer does not control the selection of product configurations, operating hardware, or glazing materials, and assumes no responsibility therefor.

Kawneer reserves the right to change configuration without prior notice when deemed necessary for product improvement.
© Kawneer Company, Inc., 2009

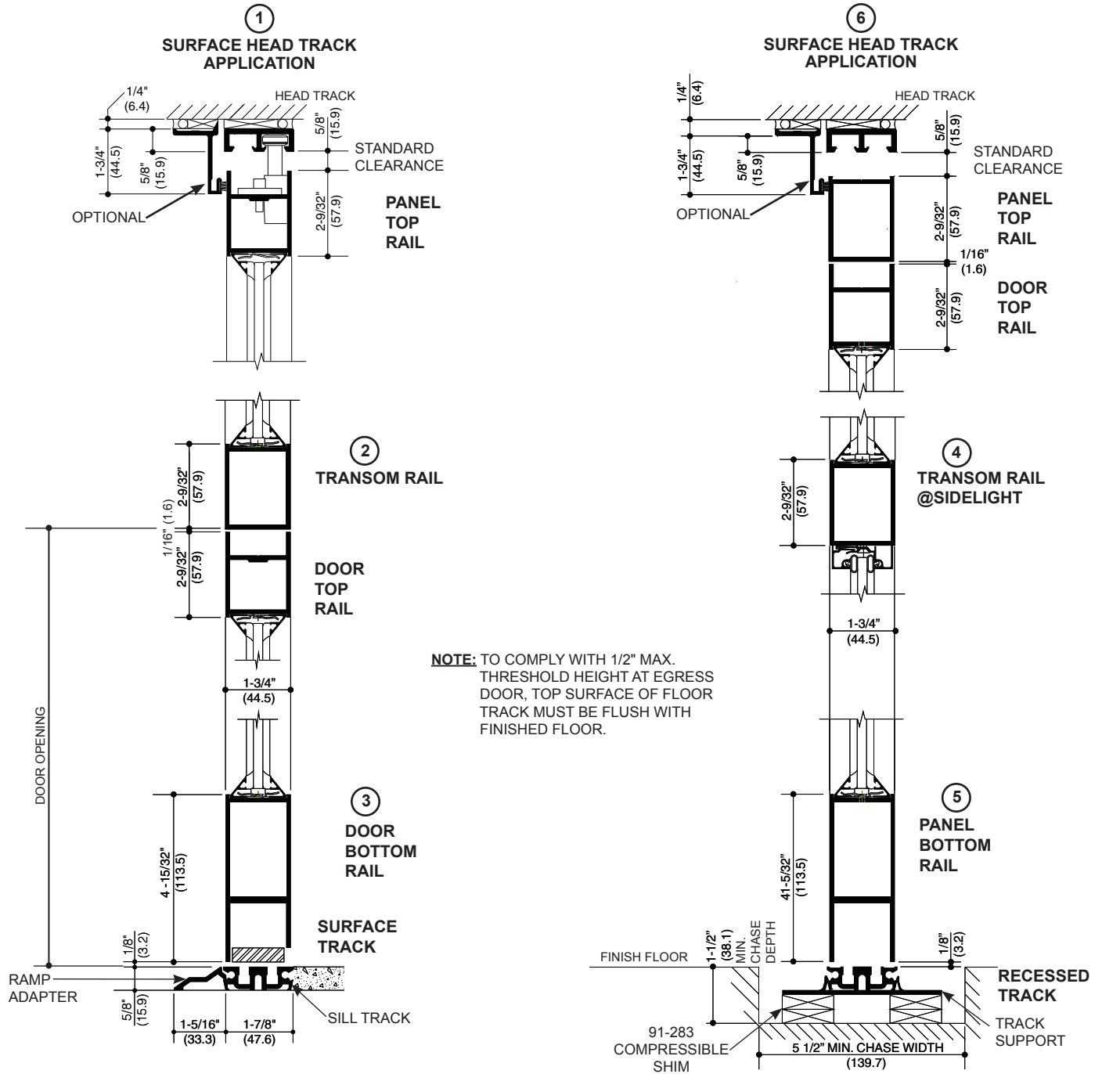


SCALE 3" = 1'-0"

NOTE: REFER TO PAGES 10 AND 11 FOR STANDARD 1040 SLIDING MALL FRONT DETAILS.



ELEVATIONS ARE NUMBERED KEYED BELOW AND ON PAGE 5.

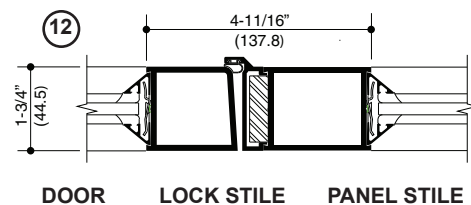
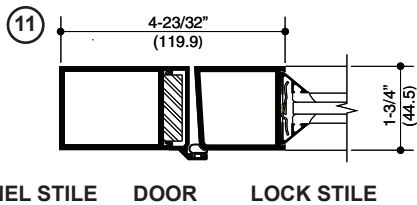
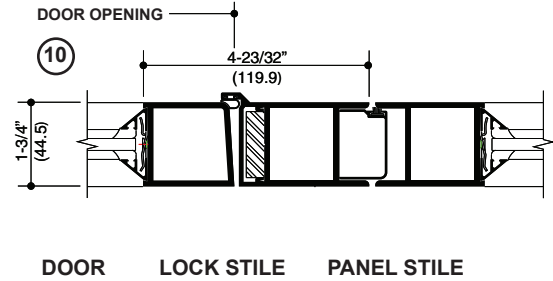
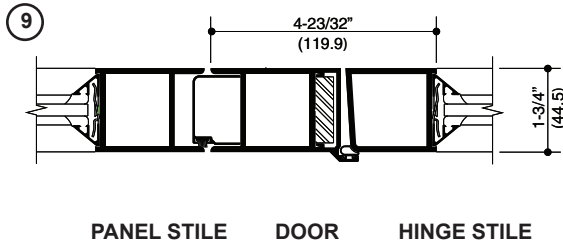
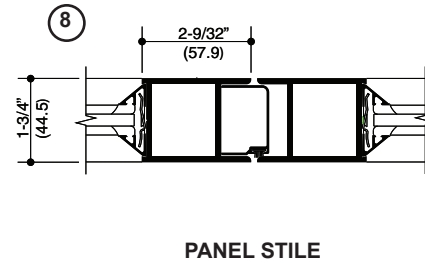
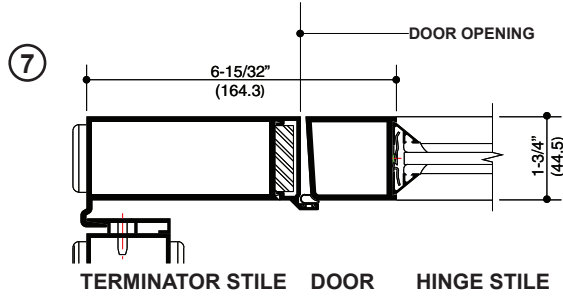


Laws and building and safety codes governing the design and use of glazed entrance, window, and curtain wall products vary widely. Kawneer does not control the selection of product configurations, operating hardware, or glazing materials, and assumes no responsibility therefor.

Kawneer reserves the right to change configuration without prior notice when deemed necessary for product improvement.
© Kawneer Company, Inc., 2009

SCALE 3" = 1'-0"

ELEVATIONS ARE NUMBER KEYED TO DETAILS



EGRESS DOOR LIMITATIONS/ HARDWARE

1. Maximum door opening width: (Per Uniform Building Code) 36"(914.4) - (32" (812.8) clear at 90 degrees).
2. Maximum door opening width: 42" (1066.8) (requires sidelight and/or transom for stability).
3. Minimum door opening height: (Per Uniform Building Code) 80" (2032).
4. Maximum door opening height: 90" (2286)
5. Maximum threshold height: (Per uniform Building Code) 1/2" (12.7).
6. Door cannot be hinged off of sidelight.
7. Minimum light opening width of sidelight: 6 1/4" (158.8).
8. Maximum light opening width of sidelight: 18" (457.2).
9. Standard Hardware: Reference Page 16 for hardware information).
 - A. Walking beam top pivot with modified center bottom pivot.
 - B. Adams Rite M.S. 1850 A lock with two (2) cylinders.

10. Optional Hardware:
 - A. Thumbturn inside in lieu of cylinder.
 - B. Adams Rite 4510 latchlock with 4656 handle in lieu of A.R.M.S.1850 A.
 - C. Adams Rite 4089 exit indicator.
 - D. Cylinder guard.
 - E. Flush pull in door.

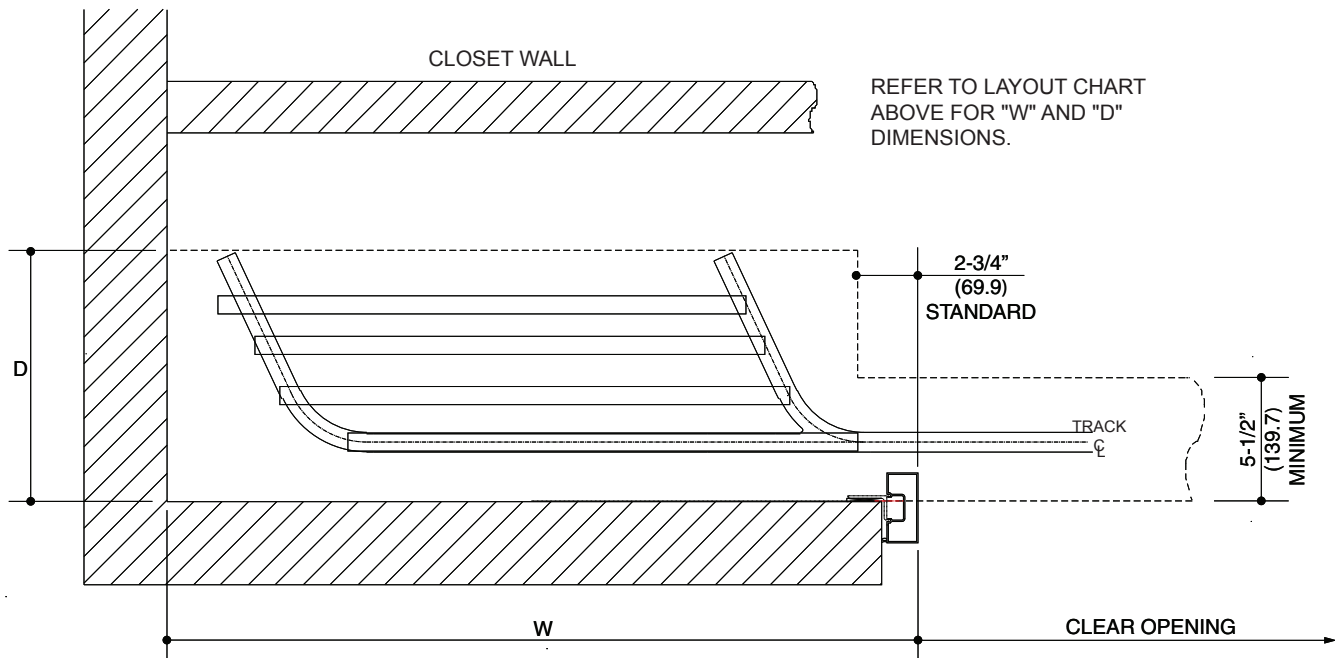
Note: When using optional hardware, due to its greater projection, the placement of the exit panel in the stack is critical to prevent interference with adjacent panels.
11. Not available:
 - A. Closers.
 - B. Panic devices.
 - C. Push-pull Hardware.
 - D. Pairs of doors or double sidelighted units.
12. Door is not intended for use by general public.
13. Door is to be locked closed before moving panel.

Laws and building and safety codes governing the design and use of glazed entrance, window, and curtain wall products vary widely. Kawneer does not control the selection of product configurations, operating hardware, or glazing materials, and assumes no responsibility therefor.

Kawneer reserves the right to change configuration without prior notice when deemed necessary for product improvement.
© Kawneer Company, Inc., 2009

PARALLEL STAGGERED STACK

NO. OF PANELS	PANEL WIDTH								
	2'-6"/3'-0" (762/914) W x D	3'-0"/3'-6" (914/1067) W x D	3'-6"/4'-0" (1067/1219) W x D	4'-0"/4'-6" (1219/1372) W x D	4'-6"/5'-0" (1372/1524) W x D	5'-0"/5'-6" (1524/1676) W x D	5'-6"/6'-0" (1676/1829) W x D	6'-0"/6'-6" (1829/1981) W x D	6'-6"/7'-0" (1981x2134) W x D
3	51-9/16" x 14" (1310 x 356)	57-9/16" x 14" (1462 x 356)	63-9/16" x 14" (1615 x 356)	69-9/16" x 14" (1761 x 356)	75-9/16" x 14" (1919 x 356)	81-9/16" x 14" (2072 x 356)	87-9/16" x 14" (2224 x 356)	93-9/16" x 14" (2377 x 356)	99-9/16" x 14" (2526 x 356)
4	52-1/2" x 16" (1334 x 406)	58-1/2" x 16" (1486 x 406)	64-1/2" x 16" (1638 x 406)	70-1/2" x 16" (1791 x 406)	76-1/2" x 16" (1943 x 406)	82-1/2" x 16" (2096 x 406)	88-1/2" x 16" (2248 x 406)	94-1/2" x 16" (2400 x 406)	100-1/2" x 16" (2553 x 406)
5	53-7/16" x 18" (1357 x 457)	59-7/16" x 18" (1510 x 457)	65-7/16" x 18" (1662 x 457)	71-7/16" x 18" (1815 X 457)	77-7/16" x 18" (1967 x 457)	83-7/16" x 18" (2119 x 457)	89-7/16" x 18" (2272 x 457)	95-7/16" x 18" (2424 x 457)	101-7/16" x 18" (2577 x 457)
6	54-3/8" x 20" (1381 x 508)	60-3/8" x 20" (1534 x 508)	66-3/8" x 20" (1686 x 508)	72-3/8" x 20" (1838 x 508)	78-3/8" x 20" (1991 x 508)	84-3/8" x 20" (2143 x 508)	90-3/8" x 20" (2296 x 508)	96-3/8" x 20" (2448 x 508)	102-3/8" x 20" (2600 x 508)
7	55-5/16" x 22" (1450 x 559)	61-5/16" x 22" (1557 x 559)	67-5/16" x 22" (1710 x 559)	73-5/16" x 22" (1862 x 559)	79-5/16" x 22" (2015 x 559)	85-5/16" x 22" (2167 x 559)	91-5/16" x 22" (2319 x 559)	97-5/16" x 22" (2472 x 559)	103-5/16" x 22" (2624 x 559)
8	56-1/4" x 24" (1429 x 610)	62-1/4" x 24" (1581 x 610)	68-1/4" x 24" (1734 x 610)	74-1/4" x 24" (1886 x 610)	80-1/4" x 24" (2038 x 610)	86-1/4" x 24" (2191 x 610)	92-1/4" x 24" (2343 x 610)	98-1/4" x 24" (2496 x 610)	104-1/4" x 24" (2648 x 610)
9	57-3/16" x 26" (1453 x 660)	63-3/16" x 26" (1605 x 660)	69-3/16" x 26" (1757 x 660)	75-3/16" x 26" (1910 x 660)	81-3/16" x 26" (2062 x 660)	87-3/16" x 26" (2215 x 660)	93-3/16" x 26" (2367 x 660)	99-3/16" x 26" (2519 x 660)	105-3/16" x 26" (2672 x 660)
10	58-1/8" x 28" (1476 x 711)	64-1/8" x 28" (1629 x 711)	70-1/8" x 28" (1781 x 711)	76-1/8" x 28" (1934 x 711)	82-1/8" x 28" (2086 x 711)	88-1/8" x 28" (2238 x 711)	94-1/8" x 28" (2391 x 711)	100-1/8" x 28" (2543 x 711)	106-1/8" x 28" (2596 x 711)



- NOTE:** 1. CHASE AREA MUST BE A MINIMUM OF 1-1/2" (38.1) DEEP.
 2. STACK AREA MUST BE ACCESSIBLE FOR MAINTENANCE AND CLEANING.

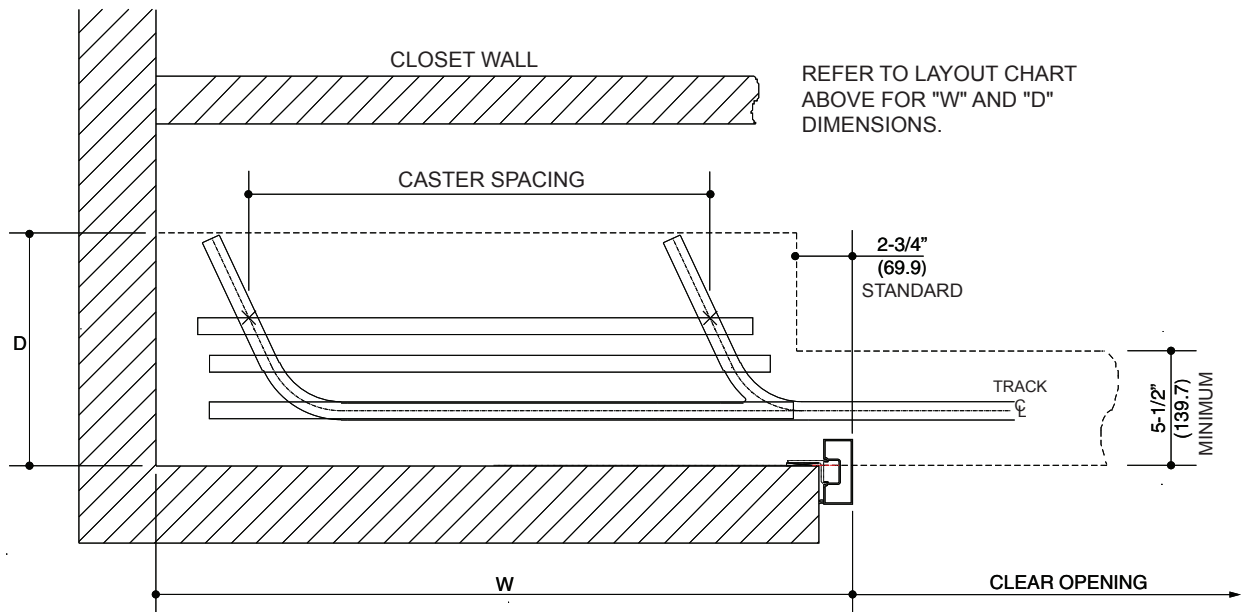
Laws and building and safety codes governing the design and use of glazed entrance, window, and curtain wall products vary widely. Kawneer does not control the selection of product configurations, operating hardware, or glazing materials, and assumes no responsibility therefor.

Kawneer reserves the right to change configuration without prior notice when deemed necessary for product improvement.
 © Kawneer Company, Inc., 2009

PARALLEL EVEN STACK

NO. OF PANELS	PANEL WIDTH*								
	2'-6" / 3'-0" (762 / 914) W x D	3'-0" / 3'-6" (914 / 1067) W x D	3'-6" / 4'-0" (1067 / 1219) W x D	4'-0" / 4'-6" (1219 / 1372) W x D	4'-6" / 5'-0" (1372 / 1524) W x D	5'-0" / 5'-6" (1524 / 1676) W x D	5'-6" / 6'-0" (1676 / 1829) W x D	6'-0" / 6'-6" (1829 / 1981) W x D	6'-6" / 7'-0" (1981 x 2134) W x D
3	46" x 14" (1186 x 356)	50-11/16" x 14" (1287 x 356)	55-1/4" x 14" (1403 x 356)	61-1/4" x 14" (1556 x 356)	67-1/4" x 14" (1708 x 356)	73-1/4" x 14" (1861 x 356)	79-1/4" x 14" (2013 x 356)	85-1/4" x 14" (2165 x 356)	91-1/4" x 14" (2318 x 356)
4	_____	_____	55-5/8" x 16" (1413 x 406)	61-1/4" x 16" (1556 x 406)	67-1/4" x 16" (1708 x 406)	73-1/4" x 16" (1861 x 406)	79-1/4" x 16" (2013 x 406)	85-1/4" x 16" (2165 x 406)	91-1/4" x 16" (2318 x 406)
5	_____	_____	56-9/16" x 18" (1437 x 457)	61-1/4" x 18" (1556 x 457)	67-1/4" x 18" (1708 x 457)	73-1/4" x 18" (1861 x 457)	79-1/4" x 18" (2013 x 508)	85-1/4" x 18" (2165 x 457)	91-1/4" x 18" (2318 x 457)
6	_____	_____	_____	61-1/2" x 20" (1562 x 508)	67-1/4" x 20" (1708 x 508)	73-1/4" x 20" (1861 x 508)	79-1/4" x 20" (2013 x 508)	85-1/4" x 20" (2165 x 508)	91-1/4" x 20" (2318 x 508)
7	_____	_____	_____	62-7/16" x 22" (1586x559)	67-1/4" x 22" (1708 x 559)	73-1/4" x 22" (1861 x 559)	79-1/4" x 22" (2013 x 559)	85-1/4" x 22" (2165 x 559)	91-1/4" x 22" (2318 x 559)
8	_____	_____	_____	_____	67-3/8" x 24" (1711 x 610)	73-1/4" x 24" (1861 x 610)	79-1/4" x 24" (2013 x 610)	85-1/4" x 24" (2165 x 610)	91-1/4" x 24" (2318 x 610)
9	_____	_____	_____	_____	68-5/16" x 26" (1735 x 660)	73-1/4" x 26" (1861 x 660)	79-1/4" x 26" (2013 x 660)	85-1/4" x 26" (2165 x 660)	91-1/4" x 26" (2318 x 660)
10	_____	_____	_____	_____	_____	73-1/4" x 28" (1861 x 711)	79-1/4" x 28" (2013 x 711)	85-1/4" x 28" (2165 x 711)	91-1/4" x 28" (2318 x 711)

*THE CASTER SPACING DIMENSION SHOWN BELOW SHOULD BE AT LEAST 1/3 OF THE PANEL HEIGHT. THE CASTER VARIES FROM A PANEL EDGE BY 8-5/6" FOR 3 PANELS AS SHOWN PLUS ABOUT 1" FOR EACH ADDITIONAL PANEL.



- NOTE:**
1. CHASE AREA MUST BE A MINIMUM OF 1-1/2" (38.1) DEEP.
 2. STACK AREA MUST BE ACCESSIBLE FOR MAINTENANCE AND CLEANING.
 3. MAXIMUM NUMBER OF PANELS FOR THIS STACK AREA DEPENDS UPON PANEL WIDTHS. CONTACT FACTORY REPRESENTATIVE.
 4. EDGE PULLS REQUIRED ON LAST TWO PANELS INTO STACK AREA.

Laws and building and safety codes governing the design and use of glazed entrance, window, and curtain wall products vary widely. Kawneer does not control the selection of product configurations, operating hardware, or glazing materials, and assumes no responsibility therefor.

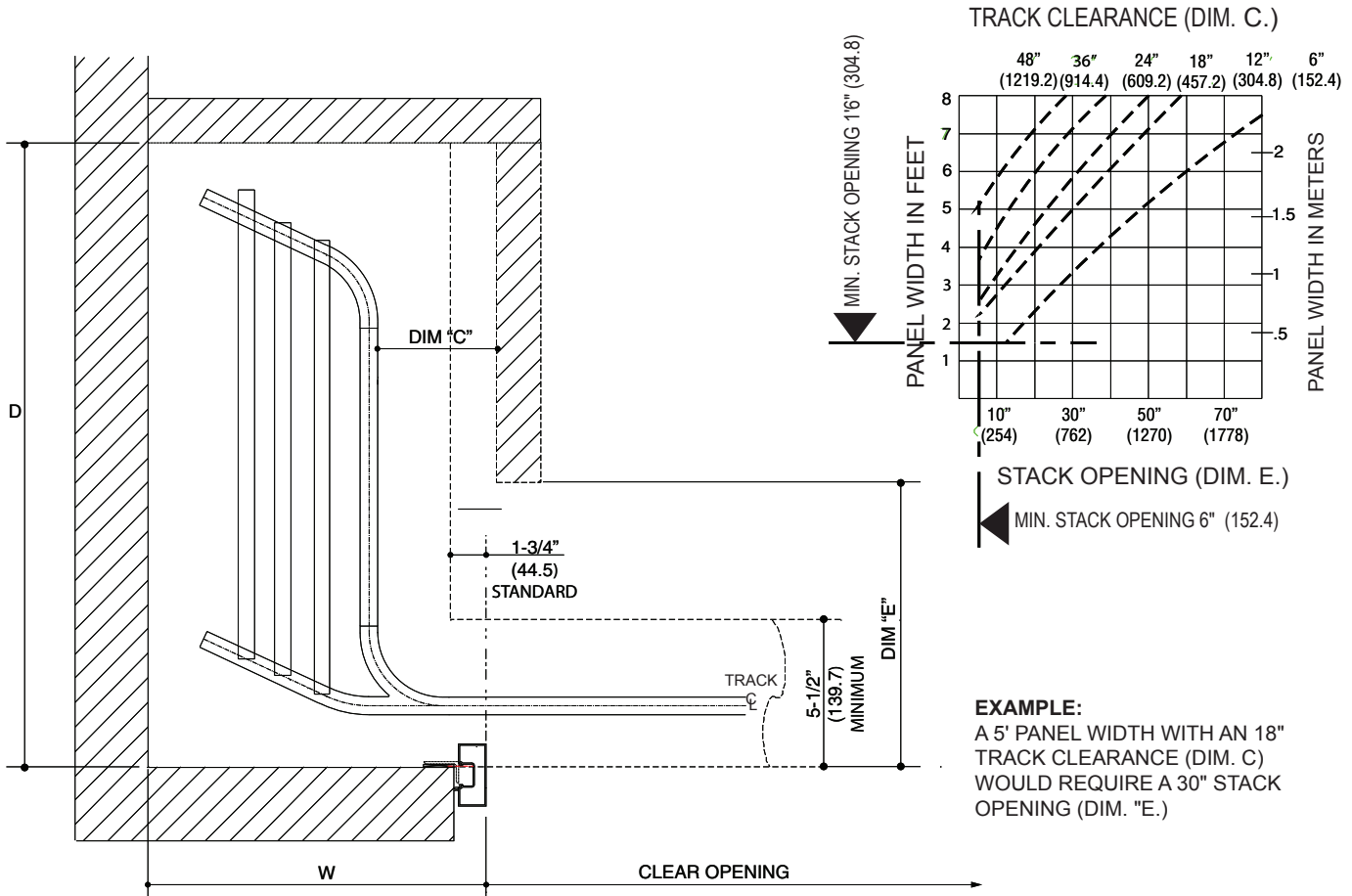
Kawneer reserves the right to change configuration without prior notice when deemed necessary for product improvement.
© Kawneer Company, Inc., 2009

90° STACK

PANEL WIDTH

NO. OF PANELS	PANEL WIDTH								
	2'-6"/3'-0" (762 / 914) W x D	3'-0"/3'-6" (914 / 1067) W x D	3'-6"/4'-0" (1067 / 1219) W x D	4'-0"/4'-6" (1219 / 1372) W x D	4'-6"/5'-0" (1372 / 1524) W x D	5'-0"/5'-6" (1524 / 1676) W x D	5'-6"/6'-0" (1676 / 1829) W x D	6'-0"/6'-6" (1829 / 1981) W x D	6'-6"/7'-0" (1981 x 2134) W x D
3	23-3/8" x 47-3/4" (594 x 1213)	23-3/8" x 53-3/4" (594 x 1365)	23-3/8" x 59-3/4" (594 x 1518)	23-3/8" x 65-3/4" (594 x 1670)	23-3/8" x 71-3/4" (594 x 1822)	23-3/8" x 77-3/4" (594 x 1975)	23-3/8" x 83-3/4" (594 x 2127)	23-3/8" x 89-3/4" (594 x 2280)	23-3/8" x 95-3/4" (594 x 2432)
4	25-3/8" x 48-11/16" (645 x 1237)	25-3/8" x 54-11/16" (645x 1389)	25-3/8" x 60-11/16" (645 x 1541)	25-3/8" x 66-11/16" (645 x 1694)	25-3/8" x 72-11/16" (645 x 1846)	25-3/8" x 78-11/16" (645 x 1999)	25-3/8" x 84-11/16" (645 x 2151)	25-3/8" x 90-11/16" (645 x 2304)	25-3/8" x 96-11/16" (645 x 2456)
5	27-3/8" x 49-5/8" (695 x 1260)	27-3/8"x55-5/8" (695x1413)	27-3/8" x 61-5/8" (695 x 1565)	27-3/8" x 67-5/8" (695 x 1718)	27-3/8" x 73-5/8" (695 x 1870)	27-3/8" x 79-5/8" (695 x 2022)	27-3/8" x 85-5/8" (695 x 2175)	27-3/8" x 91-5/8" (695 x 2327)	27-3/8" x 97-5/8" (695 x 2480)
6	29-3/8" x 50-9/16" (746 x 1284)	29-3/8"x56-9/16" (746x1437)	29-3/8" x 62-9/16" (746 x 1589)	29-3/8" x 68-9/16" (746 x 1741)	29-3/8" x 74-9/16" (746 x 1894)	29-3/8" x 80-9/16" (746 x 2046)	29-3/8" x 86-9/16" (746 x 2199)	29-3/8" x 92-9/16" (746 x 2351)	29-3/8" x 98-5/16" (746 x 2503)
7	31-3/8" x 51-1/2" (797 x 1308)	31-3/8"x57-1/2" (797x1461)	31-3/8" x 63-1/2" (797 x 1613)	31-3/8" x 69-1/2" (797 x 1765)	31-3/8" x 75-1/2" (797 x 1918)	31-3/8" x 81-1/2" (797 x 2070)	31-3/8" x 87-1/2" (797 x 2223)	31-3/8" x 93-1/2" (797 x 2375)	31-3/8" x 99-1/2" (797 x 2527)
8	33-3/8" x 52-7/16" (848 x 1332)	33-3/8"x58-7/16" (848x1484)	33-3/8" x 64-7/16" (848 x 1637)	33-3/8" x 70-7/16" (848 x 1789)	33-3/8" x 76-7/16" (848 x 1942)	33-3/8" x 82-7/16" (848 x 2094)	33-3/8" x 88-7/16" (848 x 2246)	33-3/8" x 94-7/16" (848 x 2399)	33-3/8" x 100-7/16" (848 x 2551)
9	35-3/8" x 53-3/8" (899 x 1356)	35-3/8"x59-3/8" (899x1508)	35-3/8" x 65-3/8" (889 x 1661)	35-3/8" x 71-3/8" (899 x 1813)	35-3/8" x 77-3/8" (899 x 1965)	35-3/8" x 83-3/8" (899 x 2118)	35-3/8" x 89-3/8" (899 x 2270)	35-3/8" x 95-3/8" (899x 2423)	35-3/8" x 101-3/8" (899 x 2579)
10	37-3/8" x 54-3/8" (949 x 1380)	37-3/8"x60-5/16" (949x1532)	37-3/8" x 66-5/16" (949 x 1684)	37-3/8" x 72-5/16" (949 x 1837)	37-3/8" x 78-5/16" (949 x 1989)	37-3/8" x 84-5/16" (949 x 2142)	37-3/8" x 90-5/16" (949 x 2294)	37-3/8" x 96-5/16" (949 x 2246)	37-3/8" x 102-5/16" (949 x 2599)

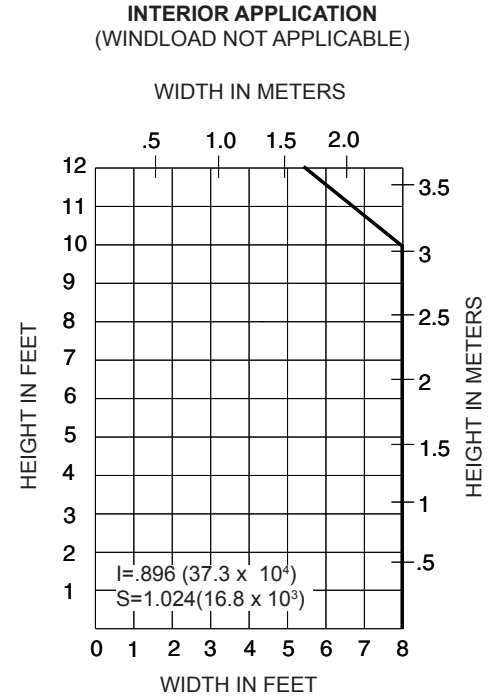
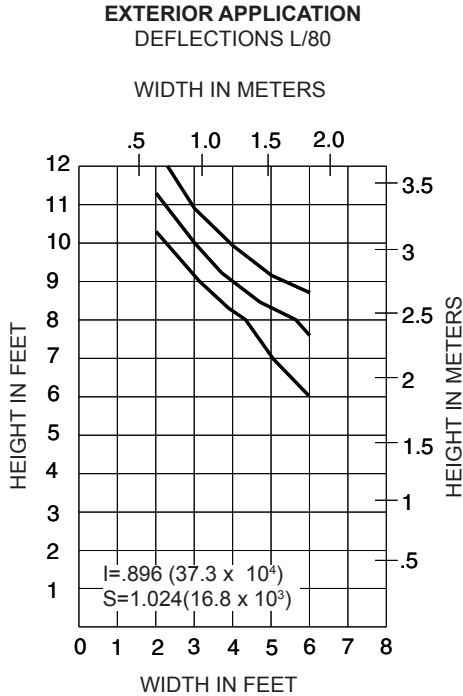
Local and building and safety codes governing the design and use of glazed entrance, window, and curtain wall products vary widely. Kawneer does not control the selection of product configurations, operating hardware, or glazing materials, and assumes no responsibility therefor.



NOTE: 1. CHASE AREA MUST BE A MINIMUM OF 1-1/2" (38.1) DEEP.
2. STACK AREA MUST BE ACCESSIBLE FOR MAINTENANCE AND CLEANING.

Mullions are designed for 1/80 deflection ratio. These curve are for mullions WITH and WITHOUT HORIZONTALS and are based on precise engineering calculations for stress, deflection and buckling. Allowable windload stress for Aluminum 12,929 P.S.I. (89 MPa) STEEL 26,666 P.S.I., (194 MPa). Charted curves in all cases are for the limiting value. For special situations not covered by the curves, contact your Kawneer representative for additional information.

MAXIMUM PANEL SIZE LIMITATIONS



- NOTE:** 1. PANEL WIDTHS (CATER SPACING) SHOULD BE AT LEAST 1/3 OF PANEL HEIGHT FOR ROLLING STABILITY, THE MAJOR EXCEPTION TO THIS RULE IS THE PARALLEL EVEN STACK LAYOUT. (SEE *NOTE IN THE MIDDLE OF PAGE 7 FOR CASTOR SPACING AND PANEL HEIGHT.)
2. ON PANELS OVER 10' IN HEIGHT AN INTERMEDIATE HORIZONTAL MOUNTING IS RECOMMENDED.

GENERAL INFORMATION

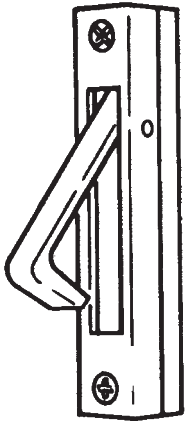
GENERAL DESCRIPTION: THE "1040" SLIDING FRONT CONSISTS OF SINGLE TRACKAGE WITH MULTIPLE STACKING OPTIONS FOR INTERIOR OR EXTERIOR APPLICATIONS. IT IS IDEALLY SUITED FOR THE FOLLOWING COMMERCIAL APPLICATIONS:

- ENCLOSED SHOPPING MALLS
- EXTERIOR MOVEABLE WALLS
- AUTOMOBILE SHOWROOMS
- SLIDING ROOM DIVIDERS
- EDUCATIONAL MOVEABLE PARTITIONS
- INSTITUTIONAL SLIDING DOORS

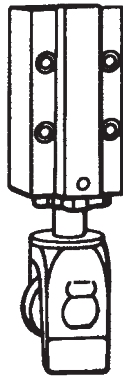
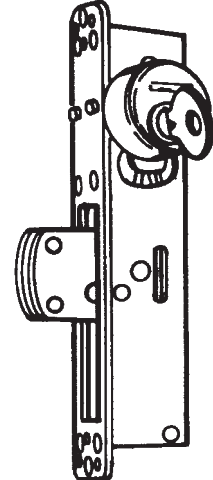
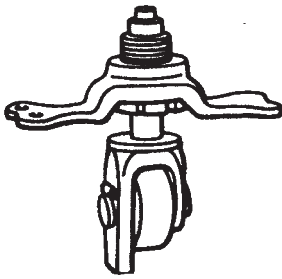
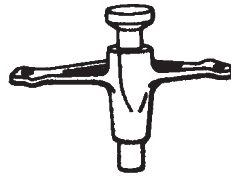
Laws and building and safety codes governing the design and use of glazed entrance, window, and curtain wall products vary widely. Kawneer does not control the selection of product configurations, operating hardware, or glazing materials, and assumes no responsibility therefor.

Kawneer reserves the right to change configuration without prior notice when deemed necessary for product improvement.
© Kawneer Company, Inc., 2009

1040 HARDWARE



EDGE PULL

OUTBOARD
RECESSED
CASTERFACE PULL
(OPTIONAL)MS 1850A
LOCKINBOARD
CASTERINBOARD
HEAD
GUIDEOUTBOARD
RECESSED
HEAD GUIDE

REFER TO HARDWARE SECTION FOR INFORMATION
ON ADAMS RITE 4510 LATCHLOCK, 4560 LEVER HANDLE AND
4089 EXIT INDICATOR USED OPTIONALLY ON THE EGRESS DOOR.

Laws and building and safety codes governing the design and use of glazed entrance, window, and curtain wall products vary widely. Kawneer does not control the selection of product configurations, operating hardware, or glazing materials, and assumes no responsibility therefor.

Kawneer reserves the right to change configuration without prior notice when deemed necessary for product improvement.
© Kawneer Company, Inc., 2009